



Model 2A02 — Recessed
(recesses 9¾"; projects 2¾")

Model 2A02-10 — Semi-Recessed
(recesses 4"; projects 8½")

Model 2A02-11 — Surface-Mounted
(projects 13¼")

- Diplomat Series
- Roll Paper Towels

Product Materials

CABINET: 0.030-inch/22ga.-(0.76 mm) stainless steel with exposed surfaces in architectural satin finish. Welded construction with seamless corners and burr-free edges.

FLANGE: 0.030-inch/22ga.-(0.76 mm) stainless steel with exposed surfaces in architectural satin finish. One-piece seamless construction, 1" wide with 1/4" return.

DOOR: 0.036-inch/20ga.-(0.92 mm) stainless steel with full length piano hinge and tumbler lock keyed like other Bradley units. Front of door has matching curvature to other Bradley Diplomat washroom accessories.

TOWEL DISPENSER: furnished (2498-000000).

Capacity

Dispenses non-perforated, universal paper roll towels up to 8¼" in diameter and 8" wide with core sizes from 1½"-2" (maximum 1000' roll). Dispenser also allows for 3½" diameter stub roll.

Operation

Towels are dispensed automatically when hands are naturally positioned below the hand wave icon located near the center/bottom of cover. Sensing range can be set to 3" or 6". Paper can be exposed or concealed. Sensor delay can be immediate (0 seconds), 1 second, or 2 seconds. Paper length can be set to 9", 12", or 15". Operates with 4 "D" size alkaline batteries. Batteries are not included. Primary roll can be manually transitioned to stub roll position once the diameter is under 3½". Once stub is depleted, the new primary roll is automatically used. Activation and low battery indicator. Manual PUSH lever is centered under the unit for manually dispensing towels.

Installation

Verify all rough-in dimensions prior to installation. Recessed unit requires rough wall opening 15½" W x 29½" H x 9¾" D. (Semi-recessed unit only 4" D). Secure to framing with mounting screws (not included) at holes provided. Shim at screw points as required.

Service Parts Available

AC Adapter and Cable Assembly (A16-013)



Guide Specification

Sensor-activated roll paper towel dispenser in [recessed] [semi-recessed] [surface-mounted] wall cabinet. Towel dispenser door face formed with contemporary contours, radii, and finish matching related accessories in manufacturer's designer series. Towel dispenser capacity one: 8-inch wide by 8¼-inch diameter standard paper towel roll with sensor-activated towel dispensing mechanism, with hinged service door with keyed tumbler lock. Universal keying. Formed from stainless steel sheet with satin finish on exposed surfaces, fully welded, with seamless corners and burr-free edges: cabinet and flange 0.030-inch / 22-ga. thick; door 0.036-inch / 20-ga. thick. Towel dispenser operates with four D-size alkaline batteries.

Overall dimensions: 17⅞" W x 30⅝" H x 13¼" D.

MasterFormat Title: Commercial Toilet Accessories

MasterFormat Number: 10 28 13.13

OmniClass Title: Toilet and Bath Specialties

OmniClass Code: 23.31.25.00

Product Compliance

Complies with

- ADA



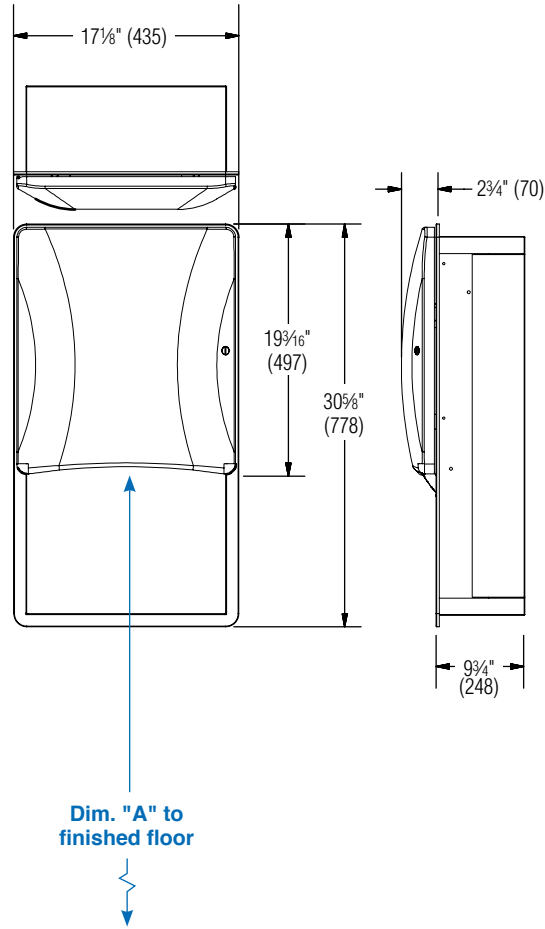
- Consult local and national accessibility codes for proper installation guidelines. Conformity and compliance to local and national codes is the responsibility of the installer.

For information on Warranties, Maintenance and BAA/ARRA Compliance, visit our web site at: bradleycorp.com/products/accessories/.



Dimensions

(mm)



Dim. "A" to finished floor

Dim. "A" Key Surface:	For Dim. "A"	Locate Top of Rough Wall Opening	Locate Bottom of Rough Wall Opening
Paper towel top of opening to finished floor	48" (1219)	66 ¹ / ₄ " (1683)	37 ¹ / ₈ " (943)
	45" (1143)	63 ¹ / ₄ " (1607)	34 ¹ / ₈ " (867)
	42" (1067)	60 ¹ / ₄ " (1530)	31 ¹ / ₈ " (791)
	40" (1016)	58 ¹ / ₄ " (1480)	29 ¹ / ₈ " (740)